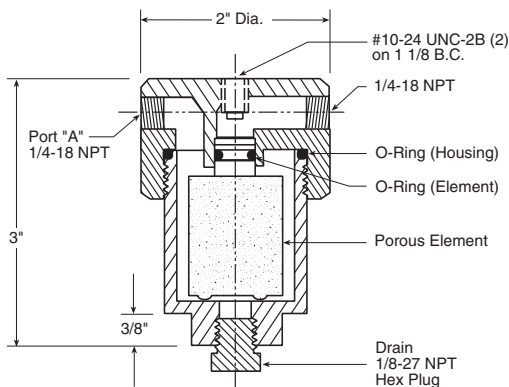


▶ 6200 Series Tee Type Inline Filters



The 6200 Series Filter provides reliable filtration in a compact Tee Type filterhousing, that allows easy element changeout without breaking the piping connections to the filter.



Equipment Specifications:

316L SS Porous Metal Media
 316 SS Housing and Hardware

Maximum Operating Pressure: 3000 psi
 Maximum Differential Pressure: 500 psi
 1/4" NPT Inlet/Outlet Ports
 1/8" NPT Housing Drain
 Outside-In Filter Area: 4.8 in²
 Filter Element 100% Leak Tested to Bubble Point

Adapter Options:



SS Swagelok Tube Fitting, Male Tube Adapter,
 1/4" Tube OD x 1/4" Male NPT



SS Swagelok Tube Fitting, Male Connector,
 1/4" Tube OD x 1/4" Male NPT

Application:

When used in traditional outside-in filtration, the head-port is used as the inlet. The filter is equally effective when used in inside-out filtration. With this configuration, contaminants are contained within the element, and are easily disposed of, eliminating the need to clean the housing. In addition, the drain can be used as a second filtrate outlet.

Filter Options:

Seal Materials:

- B (Buna N)
- N (Neoprene)
- T (*Teflon*[®] encapsulated silicone)
- V (Viton)

Media Grades: 0.5, 2, 5, 10, 20, 40

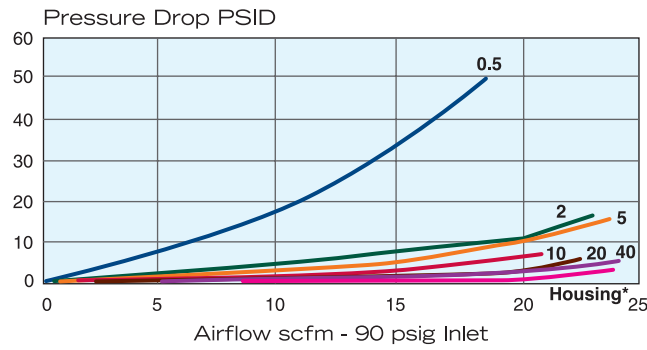
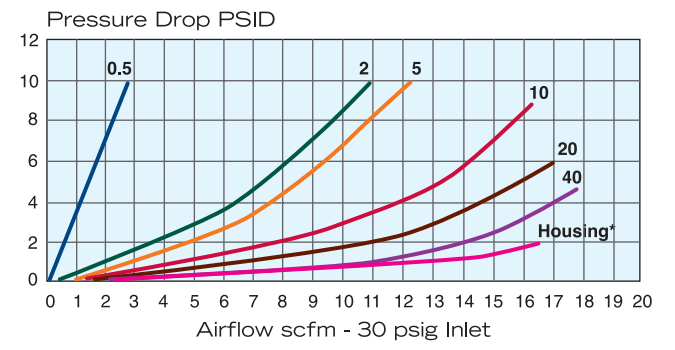
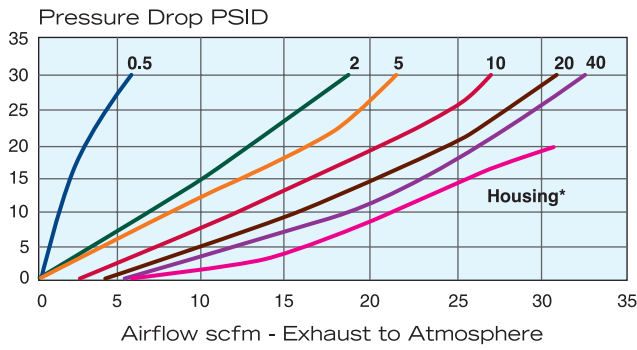
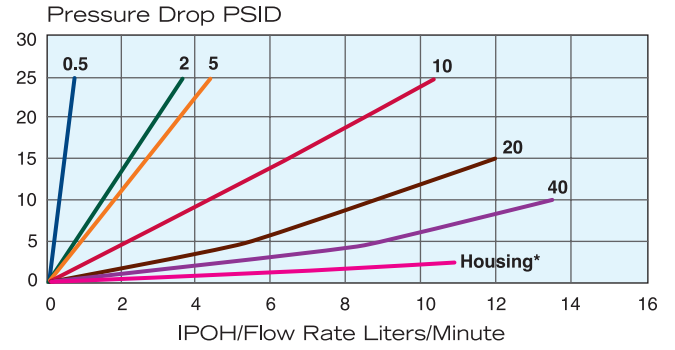
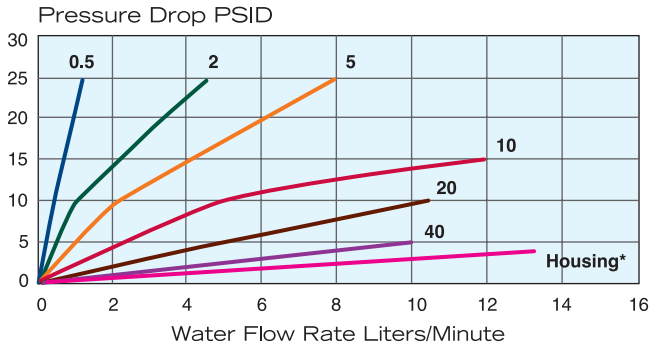
Note: Spare elements, housing o-rings, and element o-rings are available upon request.

If you have any questions regarding your specific requirements and the application of Mott porous metal products, please contact us at Quest@mottcorp.com.

▶ [porous metal products](#)

▶ mottcorp.com

Filter Assembly Flow Curves by Media Grade for 1/4" NPT



*Housing only – no filter element installed

Teflon® is a registered trademark of El DuPont Nemours & Co, Inc.

mott corporation



ISO 9001:2008 CERTIFIED
PMINST 6200 1114

84 Spring Lane, Farmington, CT 06032-3159 | 860-747-6333 Fax 860-747-6739
www.mottcorp.com | email: quest@mottcorp.com